



**MESSER**   
Cutting Systems

# TITAN III

## POWERFUL PRODUCTIVITY

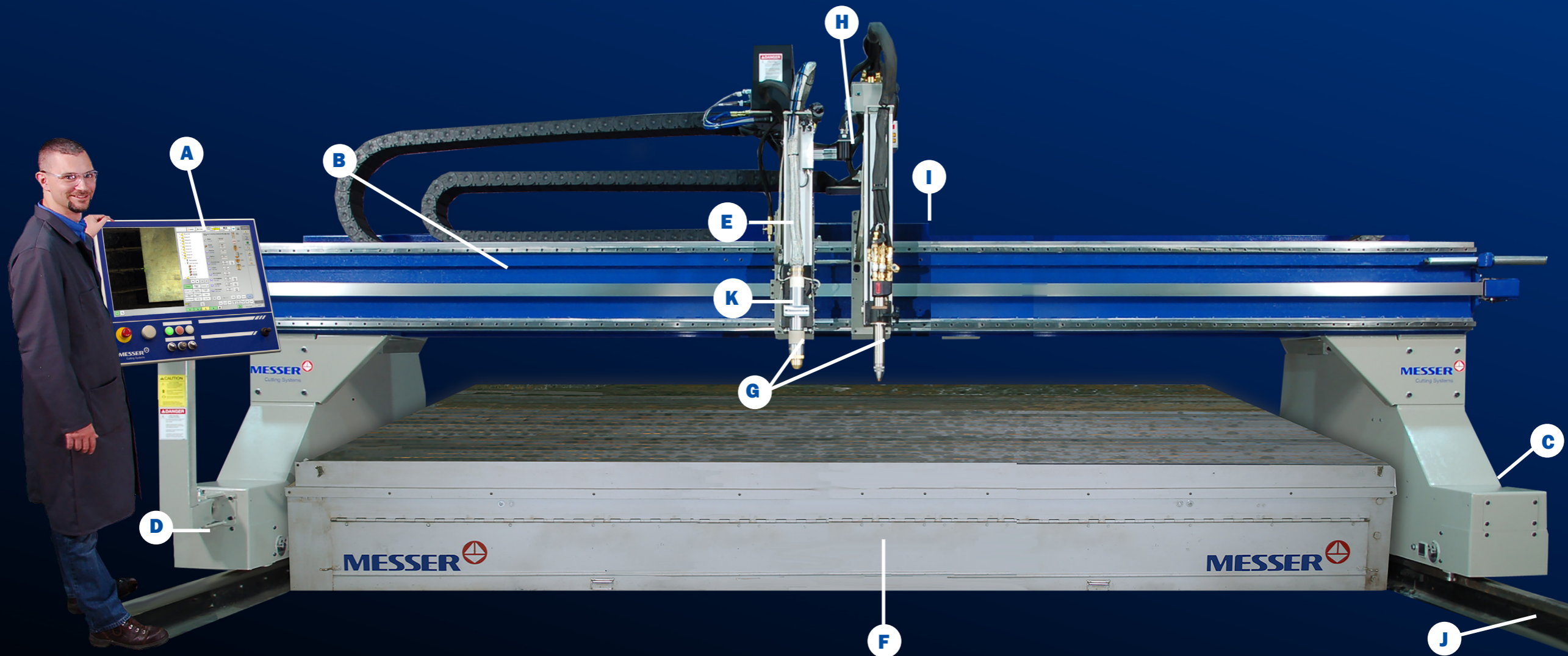
Incredible Strength, Flexibility and Performance.

*Keep up with the latest news  
and "Like Us" on Facebook.*

Messer Cutting Systems, Inc.  
W141 N9427 Fountain Boulevard  
Menomonee Falls, WI 53051  
Tel. +1 262-255-5520  
Fax +1 262-255-5170  
E-mail: [sales@messercutting.com](mailto:sales@messercutting.com)  
[www.messer-cs.com](http://www.messer-cs.com)  
Español [www.messer-cs/mx/us/](http://www.messer-cs/mx/us/)

# THE TITAN III POWERFUL PRODUCTIVITY

Scan to watch the  
Titan III Video



# HIGHLIGHTS



A

## GLOBAL CONTROL PLUS

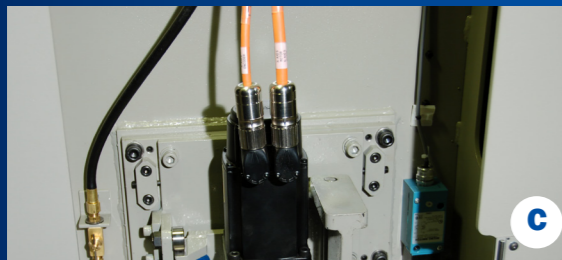
Easy-to-use, feature rich, operator interface. Our Global Control Plus stands out among the competitions. With a compact touch screen you can access the process data base which makes every operator an expert. Virtual Service puts applications and service help one push button away. It is Messer's standard for reliability and high performance.



B

## Y-AXIS BEAM

Heavy duty linear ways provide the most smooth and consistent motion for best cut edge quality.



C

## BRUSHLESS DIGITAL DRIVES

Zero maintenance high compliance digital drives provide the smoothest possible cut edge. With no brushes to change, and no required tune-ups, keeps you cutting.



D

## X-AXIS RAIL AND PINION

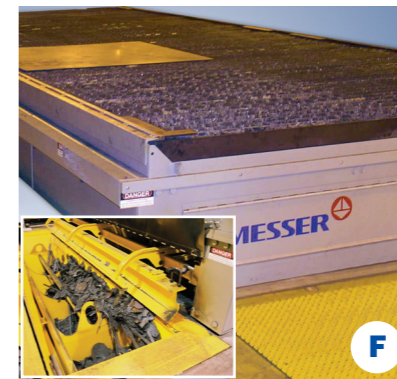
SureTrack pitch line gear engagement insures long pinion and rack life along with smooth precise motion.



E

## Y-AXIS DRIVE

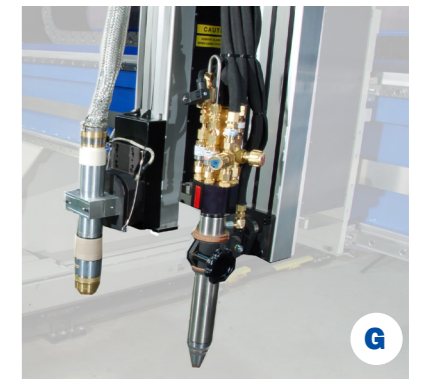
Linear ways combined with Messer's SureTrack pitch line gear engagement to ensure long life and precise motion.



F

## SLAGGER® CUTTING TABLE

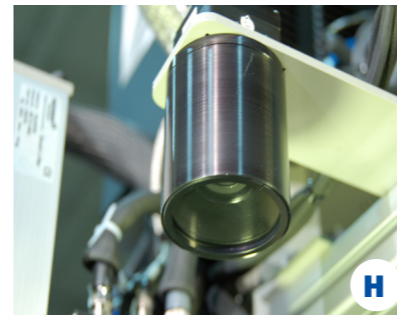
The Slagger® automates the removal of slag as well as small parts that may have fallen into the table, by using a pusher blade mechanism. There is no need to clean the table or remove slats as the pusher blade does all the work, typically in minutes. (Optional)



G

## PLASMA AND ALFA™ / OXY-FUEL TORCHES

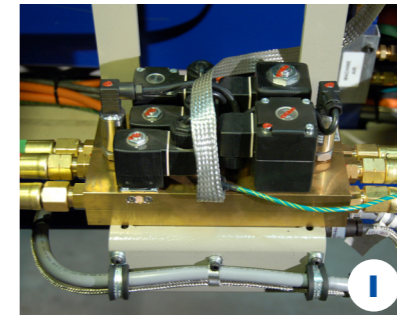
The ALFA™ torch provides both internal ignition and height control. The Omniflow automates gas and piercing controls. Precision plasma up to 800 amps. (Optional)



H

## VIDEO CAMERA

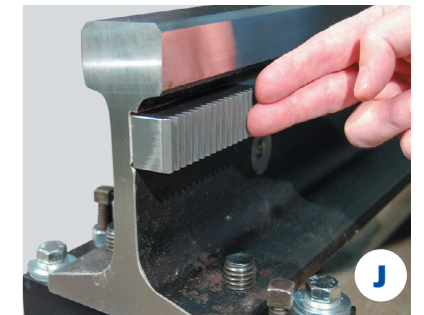
The on-board video camera can be used as an alignment tool and to monitor the cutting process. The image is conveniently displayed on the 24" TFT color screen of the Global Control Plus. (Optional)



I

## OMNIFLOW AUTOMATIC GAS CONTROL SYSTEM

Operators concentrate on cutting parts, not on costly torch setup and adjustments. Internal database makes novices experts in minutes. Less scrap and setup time, more profit. (Optional)



J

## X-AXIS RAIL SYSTEM

Over-sized floor mounted rail provides a rigid foundation for smooth, stable machine motion. Fast, accurate installation is assured with Messer's exclusive precision leveling and alignment pads.



K

## SURESTOP COLLISION SENSOR

No more expensive torch repairs after a collision. Place torch back in holder for quick, simple re-alignment. Save downtime and money. (Optional)



## ELECTRIC DRILL UNIT

Maximum drill diameter is 1/2". Combined with plasma and oxy-fuel cutting allows for more work to be done on the piece part in a single handling. (Optional)



## GLOBAL ROTATOR DELTA®

Rotation of +/- 460° with results in cut part angles of +/- 45°. Complete with bevel programming software and training. (Optional)

# TITAN III

- Increase your productivity.
- Lower production costs.
- Eliminate secondary operations all while improving your shops productivity the Titan III cutting machine does it all.

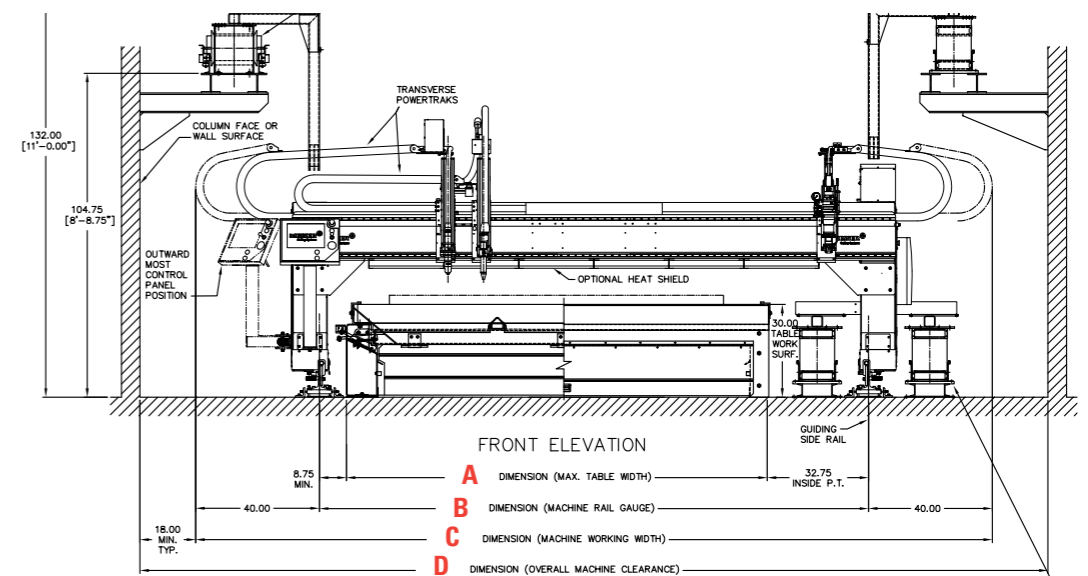
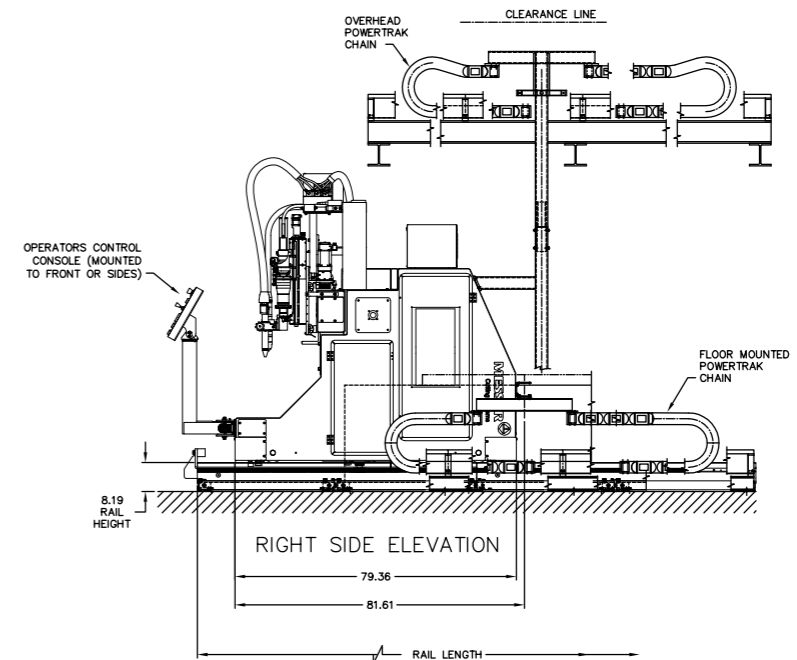
Designed for bevel cutting with plasma and oxyfuel the Titan III can be equipped with drilling up to 1/2", and various marking styles. Add the Slagger® a heavy-duty zoned and ducted table with push-button automatic cleaning.

The Titan III combines Y-axis linear ways with SureTrack pitch line rack and pinion drive to provide smooth cut edges and precise holes. Wider end trucks with maximum guide roller spread stabilizes the X-axis motion for precise cut edge performance. With **SmartLift** technology on board, parts can be cut faster the SL-Lifters reducing the up/down time between pierces. An adaptive initial "height sense system" learns the thickness of the plate to further reduce cycle time.

The Titan III has incredible strength, flexibility and performance. **That's powerful productivity!**

## TITAN III MODEL MEASUREMENTS

Titan Model	A Max. Table Width	B Machine Rail Gauge	C Machine Working Width	D Overall Machine Clearance
Titan 6'	88.00	105.50	185.50	221.50
Titan 8'	112.00	129.50	209.50	245.50
Titan 10'	136.00	153.50	233.50	269.50
Titan 12'	160.00	177.50	257.50	293.50
Titan 14'	184.00	201.50	281.50	317.50
Titan 16'	208.00	225.50	305.50	341.50



# STANDARD FEATURES

- Cutting widths 6' to 16'.
- Cutting lengths up to 150 feet.
- Machine motion accuracy; +/- .010" accuracy; .010" repeatability (compensated machine motion in 72") measured with a laser interferometer.
- Cuts material from 26 ga. up to 12" thick plate.
- Cuts mild steel, stainless steel, aluminum.
- Contouring speeds up to 400 ipm.
- Positioning speeds up to 1,700 ipm.
- Reinforced steel weldment construction with high rigidity beam (less than 0.001" bend and 0.002 degrees of twist).
- Machined mating surfaces and bores (critical tolerances of 0.002" maintained).
- Power track in both axes is standard.
- Up to eight torch stations (maximum two plasma stations).
- Up to three torch stations will cover full rated cutting width.
- Global Control<sup>Plus</sup>, Windows<sup>®</sup> based with easy to use operator interface.
- Right or left hand mounted control console with tilt and swivel for operator comfort.
- Virtual Service<sup>™</sup> remote consultation and diagnostics.
- Advanced oxy-fuel technology provides consistent piercing and faster cutting.
- Designed and manufactured in the USA to machine tool and ISO 230-2 standards.
- UL/CUL.

# OPTIONAL FEATURES

- Plasma bevel units: Delta<sup>e</sup>, Manual Plasma Stripping Bevel Unit for the X-Axis.
- Turbo Flame<sup>™</sup> or ALFA<sup>™</sup> oxy-fuel torches.
- Oxy-fuel bevel units: Single Position and Three Position.
- Lifters: SL- Lifters for straight plasma or oxyfuel cutting. PL-1 Plasma Lifter with SureStop Collision Sensor used with plasma beveling.
- Advanced oxy-fuel technology with Omniflow automated gas control system.
- Auto torch spacing with programmable torch selection.
- FT100 Torch ignitor, and automatic height control for oxy-fuel systems, SensoMat<sup>®</sup>-PAN.
- Dual Hi-Lo for oxyfuel.
- Plate markers: Plasma, Air Scribe, Pneumatic Punch, Zinc Powder, Ink-Jet, and Telesis<sup>®</sup> Pin Stamp<sup>®</sup>.
- Digital Video Camera.
- Laser Pointer.
- Global Reporter.
- Programming and nesting software.
- Electric drilling up to ½".
- Operator glare curtain.
- Pull Cord and Photo Eye E-Stops.
- Plasma Air Booster.
- Rotary rail cleaners with gear rack air purge.
- Zoned exhaust tables, including self-cleaning Slagger<sup>®</sup>, and Water Table.
- Messer dust collection system.
- Exhaust ducting kits.
- Flex Zone for processing material outside of the table.
- Rotary Pipe and Tube cutting system.
- Material handling systems.
- Sentry Service Preventative Maintenance Program.